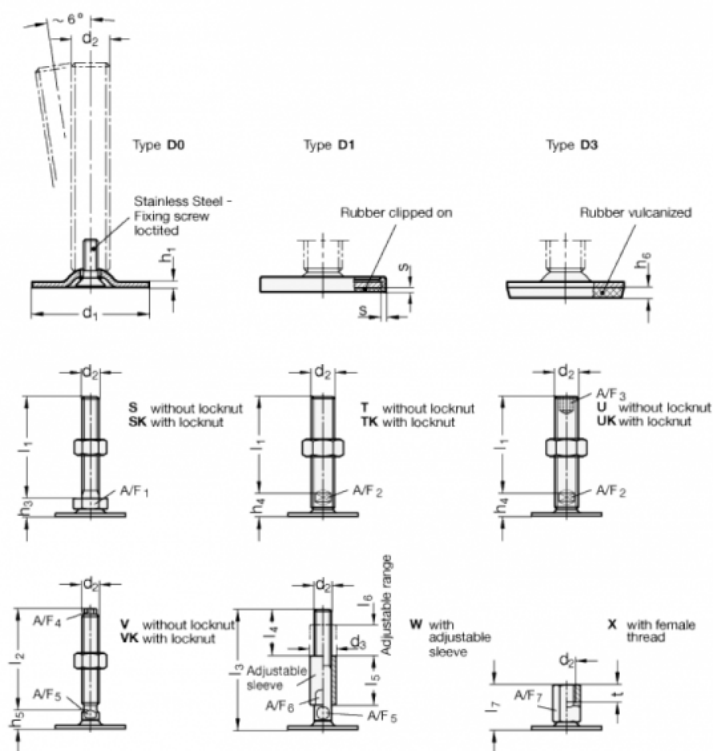


Article number: 204160M1637D3X  
 Description: E+G levelling foot  
 GN 41-60-M16-37-D3-X  
 Note: X With female thread, External hexagon

## Measures



- A/F7 = 22
- d1 = 60
- d2 = M16
- h1 = 2.5
- h6 = 4.5
- l7 = 37
- s =
- t = 16